

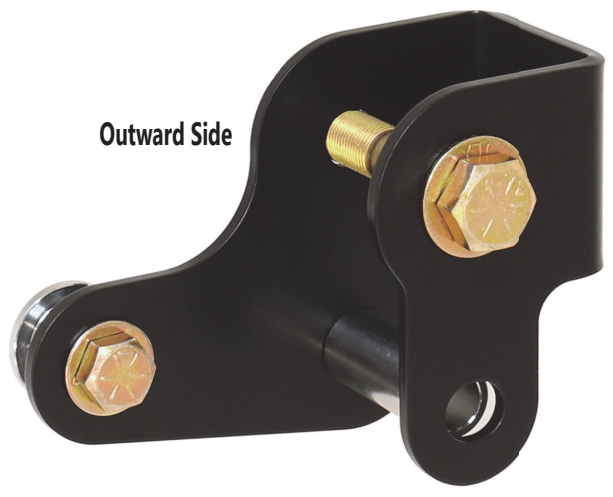


**RJ-181400-101 2021-UP BRONCO REAR TRAC BAR GEOMETRY CORRECTION BRACKET
INSTALLATION INSTRUCTIONS & TECHNICAL MANUAL**

Thank you for purchasing our Geometry Correction Kit for 2021-up Ford Bronco! Using basic hand tools, these components easily install onto all factory axle housings.

Kit Includes

- 1) RJ-181400-1.....Trac Bar Bracket (only)
- 1) RJ-181400-3.....Brake Line Relocation Bracket
- 1) RJ-510001-1.....Machined Alignment Spacer
- 1) RJ-514002-1.....Steel Spacer
- 1) RJ-501103-1.....5/8" -18 x 3 1/2" Long Bolt
- 1) CE-98023A035.....5/8" Flat Washer
- 1) CE-H0032.....5/8" Stover Nut
- 1) RJ-501211-3.....1/2"-20 x 1 1/4" Long Bolt
- 1) CE-H0014.....1/2" Flat Washer
- 1) CE-92501A440.....1/2" Stover Nut
- 1) RJ-501106-1.....8mm-1.25 x 16mm Flanged Hex Bolt
- 1) RJ-502106-1.....8mm-1.25 Lock Nut



Outward Side

Tools Required

- SAE & Metric Wrenches
- SAE & Metric 1/2" Drive Sockets
- 1/2" Drive Ratchet and/or 1/2" impact wrench
- 1/2" Breaker Bar
- Torque Wrench
- Ratchet Strap (possibly needed to realign trac bar bolt upon
reinstallation of the trac bar into the new bracket)



Inward Side

Torque Specs.

New 5/8" Trac Bar Bolt.....	180 ft. lbs.
Factory Trac Bar Bolt.....	180 ft. lbs.
New 1/2" Trac Bar Bolt.....	85 ft. lbs.
New Brake Line Bracket Bolt.....	17 ft. lbs.
Factory Brake Line Bracket Bolt.....	17 ft. lbs.

Instructions start on the next page...

Brake Line Relocation Tab & Hardware

- Unbolt brake line
- Bolt tab on in place of brake line using the stock bolt
- Bolt brake line to new tab with the new bolt and nut

5/8" Hardware

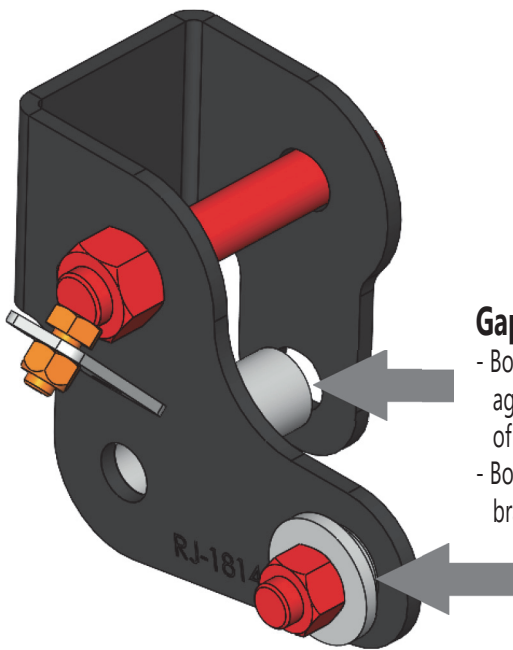
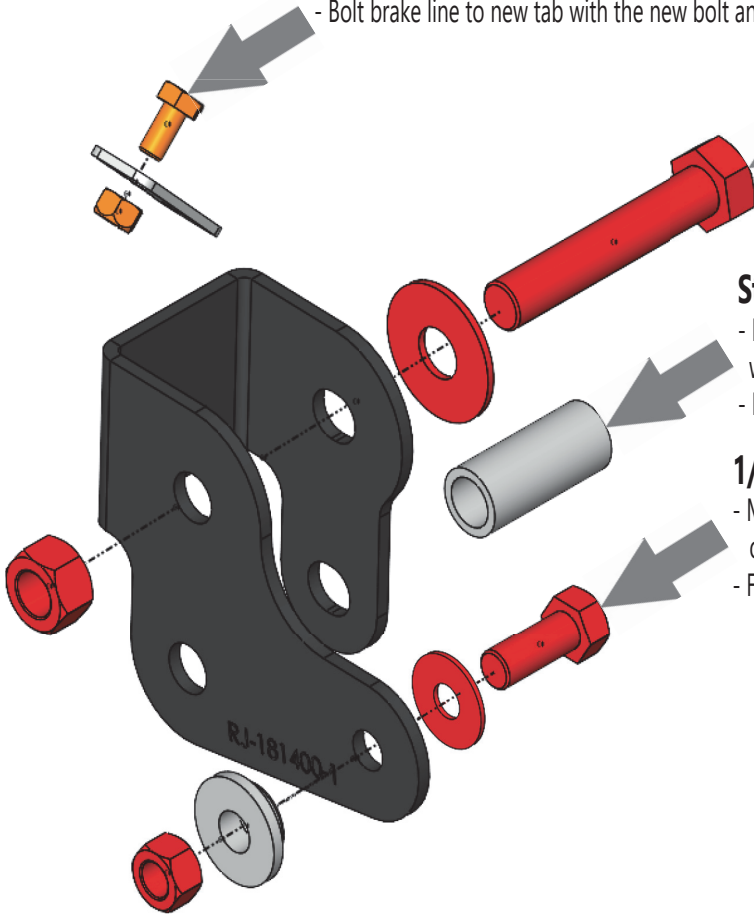
- Installs as shown
- Used to attach trac bar to new bracket

Steel Sleeve

- Fills the gap in the factory trac bar bracket where the trac bar used to reside
- Factory trac bar bolt is used in this hole

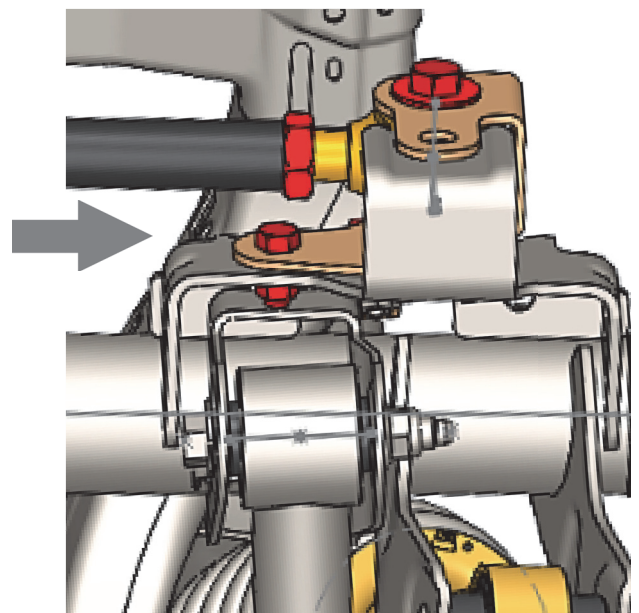
1/2" Hardware

- Machined alignment spacer fits into the back of the factory bracket
- Factory trac bar bolt is used in this hole

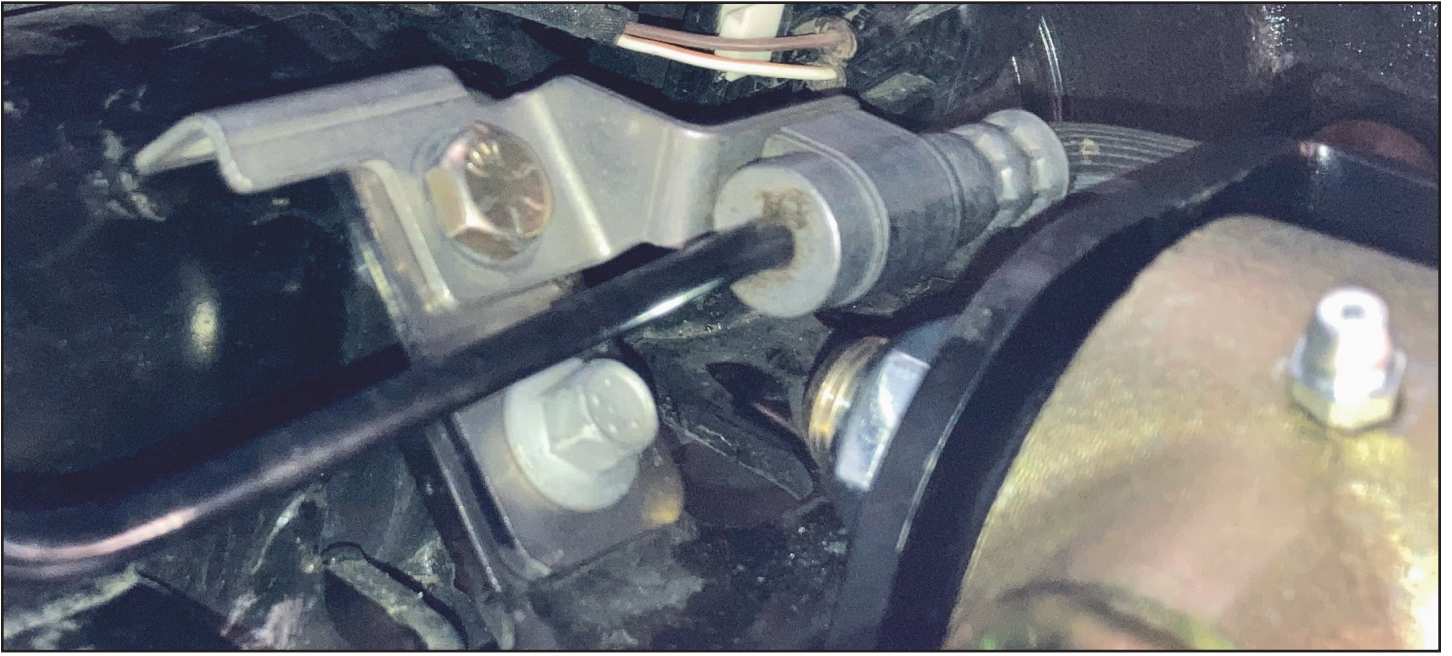


Gaps

- Both faces of the bracket fit flush against the outward facing faces of the factory bracket
- Both gaps will fill with the factory bracket.



Brake Line Relocation Tab Installed



Finished Bracket Install

